

TITLE MCNP/KENO CRITICALITY BENCHMARKS

AUTHOR(S) Gregg W. McKinney  
John C. Wagner  
James E. Sisolak

SUBMITTED TO 1993 Topical Meeting of the American Nuclear Society, Nashville, TN,  
September 19-23, 1993

DISCLAIMER

This report was prepared as an account of work sponsored by an agency of the United States Government. Neither the United States Government nor any agency thereof, nor any of their employees, makes any warranty, express or implied, or assumes any legal liability or responsibility for the accuracy, completeness, or usefulness of any information, apparatus, product, or process disclosed, or represents that its use would not infringe privately owned rights. Reference herein to any specific commercial product, process, or service by trade name, trademark, manufacturer, or otherwise does not necessarily constitute or imply its endorsement, recommendation, or favoring by the United States Government or any agency thereof. The views and opinions of authors expressed herein do not necessarily state or reflect those of the United States Government or any agency thereof.

APR 05 1993  
05 1

This document is the property of the Los Alamos National Laboratory. It is loaned to you for your personal use only. It is not to be distributed outside your organization without the express written permission of the Los Alamos National Laboratory.

This document is the property of the Los Alamos National Laboratory. It is loaned to you for your personal use only. It is not to be distributed outside your organization without the express written permission of the Los Alamos National Laboratory.

DISTRIBUTION OF THIS DOCUMENT IS UNLIMITED

Los Alamos National Laboratory  
Los Alamos, New Mexico 87545

Los Alamos



# **MCNP/KENO CRITICALITY BENCHMARKS**

**by**

**Gregg W. McKinney  
Los Alamos National Laboratory  
Los Alamos, NM 87545**

**by**

**John C. Wagner  
Pennsylvania State University  
University Park, PA 16802**

**by**

**James E. Sisolak  
University of Wisconsin  
Madison, WI 53706**

## **I. INTRODUCTION**

In the past, criticality safety analyses related to the handling and storage of fissile materials were obtained from critical experiments, nuclear safety guides, and handbooks. As a result of rising costs and time delays associated with critical experiments, most experimental facilities have been closed, triggering an increased reliance on computational methods. With this reliance comes the need and requirement for redundant validation by independent criticality codes. Currently, the KENO<sup>1</sup> Monte Carlo transport code is the most widely used tool for criticality safety calculations. For other transport codes, such as MCNP,<sup>2</sup> to be accepted by the criticality safety community as a redundant validation tool, they must be able to reproduce experimental results at least as well as KENO.

The Monte Carlo neutron, photon, and electron transport code MCNP, developed by Los Alamos National Laboratory (LANL), X-6 Group, has an extensive list of attractive features, including continuous energy cross sections, generalized 3-D geometry, time dependent transport, criticality  $k_{eff}$  calculations, and comprehensive source and tally capabilities. It is widely used for nuclear criticality analysis, nuclear reactor shielding, oil well logging, and medical dosimetry calculations (to mention a few) in many research laboratories within the United States, Canada, Europe, and Japan, in addition to over 100 universities and private companies throughout the world.

This benchmark study is third in a series of LANL MCNP benchmark reports. The two prior reports<sup>3,4</sup> demonstrate that MCNP can accurately model several analytic problems as well as a diverse set of neutron and photon experiments. This report specifically addresses criticality and benchmarks the KENO 25 problem test set. These sample problems constitute the KENO standard benchmark set and represent a relatively wide variety of criticality problems.<sup>1</sup> The KENO Monte Carlo code was chosen because of its extensive benchmarking against analytical and experimental criticality results. Whereas the uncertainty in experimental parameters generally prohibits code validation to better than about 1% in  $k_{eff}$ , the value of  $k_{eff}$  for criticality is considered unacceptable if it deviates more than a few percent from measurements.<sup>5</sup>

## II. BENCHMARK OVERVIEW

Table I presents an overview of the computer systems and code input associated with this benchmark effort. Upon converting the KENO 25 problem test set to an equivalent MCNP test set, every effort was made to duplicate features employed in the KENO input files (the MCNP inputs are given in Appendix A of Ref. 6). Whenever possible, a description of the actual experiment was used to verify the geometry specifications and results. In addition,

all volumes and material densities calculated by KENO and MCNP were compared to ensure consistency.

With one exception (natural boron), the MCNP calculations were performed using the LANL “recommended” cross-sections (i.e., atomic identifiers ending with .50c at 300 K, based on ENDF/B-V as processed by the NJOY code - see Ref. 2). Where applicable, the  $S(\alpha,\beta)$  treatment for hydrogen (in water and paraffin) was included to account for molecular scattering of thermal neutrons (the hydrogen  $S(\alpha,\beta)$  data for polyethylene was substituted for paraffin). KENO was run in stand-alone mode, separate from the SCALE package which provides cross-section processing, thus the Hansen-Roach 16 group library was employed.

Key features of the KENO 25 problem test set are summarized in Table II, and additional details can be found in Ref. 6. Note that over half of the configurations include the uranium metal 2C' unit shown in Fig. 1(a). The remaining figures (b-d) are indicative of the geometric diversity included in the test set. Although several of these problems model the same geometry, they were included to test various features of the KENO/MCNP transport codes.

### III. BENCHMARK RESULTS

The MCNP values for  $k_{eff}$  are those of the covariance weighted combined estimator (a combination of the collision, absorption, and track length estimators). MCNP provides seven estimators of  $k_{eff}$ , and although the optimal estimator is problem dependent and should be determined from calculated correlation coefficients, a single estimator is reported here to eliminate ambiguity. The KENO output, on the other hand, includes a single estimator for  $k_{eff}$  (which appears to be a collision based estimator).

The MCNP/KENO estimates of  $k_{eff}$  for each of the 25 sample problems is presented in Table III, with percent differences between the transport codes as well as from experiment

Note that experimental results are not provided for several of the inputs (6,8,9,16,17,18). Of these, 6 and 8 are clearly subcritical, whereas experimental results for 9 and 16, being geometrically infinite, most likely do not exist. Problem 17 is likely a critical experiment, and the KENO input for problem 18 appears to deviate significantly from its related experiment.

While the MCNP average deviation from experiment (.2%) is notably smaller than that of KENO (.4%), both codes provide excellent agreement with experimental results. The impact of the MCNP  $S(\alpha,\beta)$  thermal scattering treatment is evident in Table IV. Any reduction in the MCNP/KENO discrepancies as a result of including this treatment can be debated; however, its inclusion clearly improves MCNP's agreement with experimental data.

#### IV. CONCLUSIONS

The criticality capability of MCNP and its related continuous energy cross-section data have been benchmarked to the KENO criticality transport code as well as to experimental data. The KENO 25 problem test set was chosen for use in this analysis since it represents a relatively wide variety of criticality problems and is used to validate KENO. Results from this benchmark study indicate that MCNP can successfully predict experimental measurements, in some cases better than KENO, and thus can accurately model a variety of criticality problems within expected data and statistical uncertainties.

#### REFERENCES

1. L. M. Petric and N. F. Landers, "KENO V.a An Improved Monte Carlo Criticality Program with Supergrouping," NUREG/CR 0200, Vol. 2 Section F11, 1981.

2. J. F. Briesmeister, Editor, "MCNP - A General Monte Carlo Code for Neutron and Photon Transport, Version 3A," LA-7396-M, Rev. 2, 1986.
3. D. J. Whalen et al., "MCNP: Neutron Benchmark Problems," LA-12212, 1991.
4. D. J. Whalen et al., "MCNP: Photon Benchmark Problems," LA-12196, 1991.
5. W. C. Jordan et al., "Validation of KENO V.a Comparison with Critical Experiments." ORNL/CSD/TM-238, 1986.
6. J. C. Wagner et al., "MCNP: Criticality Safety Benchmark Problems," LA-12415, 1992.

**TABLE I**  
**OVERVIEW OF COMPUTER SYSTEMS AND CODE INPUT**

	<u>MCNP</u>	<u>KENO</u>
<b>COMPUTER</b>		
Hardware	Cray Y-MP	Cray X-MP
Operating System	UNICOS	CTSS
<b>CODE</b>		
Version	4.2	V.a
Parameters		
Initial Source	Uniform Volume	Uniform Volume
Particles/Cycle	3000	3000
Settle Cycles	20	20
Total Cycles	200	200
Data	Continuous Energy ENDF/B V with $S(\alpha, \beta)$	Hansen-Roach 16 Group

**TABLE II**  
**FEATURES OF THE KENO 25 PROBLEM TEST SET**

<u>Problem No.</u>	<u>Enrichment</u>	<u>Array</u>	<u>Description</u>
<b>URANIUM METAL</b>			
1,2,10,11, 22,23,24,25	93.2	2x2x2	2C8 (uranium metal cylinders)
3,4	93.2	2x2x2	2C8 with 15.24cm paraffin ref.
5	93.2	2x2x2	2C8 with 30.48cm paraffin ref.
6	93.2	.	2C single unit
7	93.2	2x2x2	2C with specular ref. on 3 sides
8	93.2		2C with specular ref. on ends
9	93.2	Infinite	2C with specular ref. on all sides
13	93.2		2 cuboids in a cylindrical annulus
14	93.2		1 cylinder in a cylindrical annulus
15	92.6		Sphere 6.5cm radius with water ref.
<b>URANIUM METAL/URANYL NITRATE SOLUTION</b>			
12,19	93.2/92.6	2x2x2	4 metal 2C units + 4 aqueous units
<b>URANYL NITRATE SOLUTION</b>			
18	92.6	3x3x3	1F27 with 15.24cm paraffin ref.
<b>URANYL FLUORIDE SOLUTION</b>			
16	93.2	Infinite	5 slabs specular ref. on all sides
17	93.0		Sphere 16.0cm radius
20	93.2	7	Triangular pitched cylinders
21	4.89		Sphere 34.6cm radius, 98% filled



TABLE III

$k_{eff}$  Values for KENO and MCNP

case	MCNP		KENO		%DIFFERENCE		
	$k_{eff}$	relative error(%)	$k_{eff}$	relative error(%)	mcnp from keno	mcnp from exp	keno from exp
1	0.9999	.09	0.9996	.11	0.0	-0.0	-0.0
2	0.9999	.09	0.9996	.11	0.0	-0.0	-0.0
3	0.9990	.11	1.0009	.13	-0.2	-0.1	0.1
4	0.9915	.28	1.0016	.15	-0.7	-0.5	0.2
5	0.9995	.27	1.0210	.09	-2.1	-0.0	2.1
6	0.7461	.10	0.7487	.13	-0.3	*	*
7	0.9993	.09	0.9984	.11	0.1	-0.1	-0.2
8	0.9401	.09	0.9430	.12	-0.3	*	*
9	2.2905	.05	2.2617	.04	1.3	*	*
10	0.9979	.14	0.9996	.11	-0.2	-0.2	-0.0
11	0.9979	.14	0.9982	.12	-0.0	-0.2	-0.2
12	0.9997	.12	1.0055	.13	-0.6	-0.0	0.6
13	0.9942	.09	1.0026	.12	-0.8	-0.6	0.3
14	0.9991	.09	1.0011	.10	-0.2	-0.1	0.1
15	1.0016	.11	1.0012	.20	0.0	0.2	0.1
16	0.9902	.09	0.9936	.07	-0.3	*	*
17	1.0029	.14	0.9783	.23	2.5	*	*
18	1.0392	.13	1.0088	.15	2.1	*	*
19	0.9997	.12	1.0044	.13	-0.5	-0.0	0.4
20	0.9960	.12	0.9791	.14	1.7	-0.4	-2.1
21	0.9962	.08	1.0012	.09	-0.5	0.4	0.1
22	0.9992	.09	0.9996	.11	-0.0	-0.1	-0.0
23	0.9999	.09	0.9996	.11	0.0	-0.0	-0.0
24	0.9991	.08	0.9999	.11	-0.1	-0.1	-0.0
25	1.0004	.08	0.9987	.11	0.2	0.0	-0.1

\* Experimental values of  $k_{eff}$  could not be located for these problems.

TABLE IV

$k_{eff}$  Values for MCNP with and without  
the  $S(\alpha, \beta)$  Treatment

case	MCNP with $S(\alpha, \beta)$		MCNP no $S(\alpha, \beta)$		%DIFFERENCE			
	$k_{eff}$	relative error(%)	$k_{eff}$	relative error(%)	with $S(\alpha, \beta)$ from keno	no $S(\alpha, \beta)$ from keno	with $S(\alpha, \beta)$ from exp	no $S(\alpha, \beta)$ from exp
3	0.9990	.11	1.0168	.11	-0.2	1.6	-0.1	1.7
4	0.9945	.28	1.0181	.25	-0.7	1.6	-0.5	1.8
5	0.9995	.27	1.0156	.28	-2.1	-0.5	-0.0	1.6
12	0.9997	.12	1.0010	.13	-0.6	-0.4	-0.0	0.1
15	1.0016	.11	1.0189	.12	0.0	1.8	0.2	1.9
16	0.9902	.09	0.9953	.09	-0.3	0.2	*	*
17	1.0029	.14	0.9830	.15	2.5	0.5	*	*
18	1.0302	.13	1.0479	.12	2.1	3.9	*	*
19	0.9997	.12	1.0010	.13	-0.5	-0.3	-0.0	0.1
20	0.9960	.12	0.9932	.16	1.7	1.4	-0.4	-0.7
21	0.9962	.08	0.9811	.10	-0.5	-2.0	-0.4	-1.9

\* Experimental values of  $k_{eff}$  could not be located for these problems.

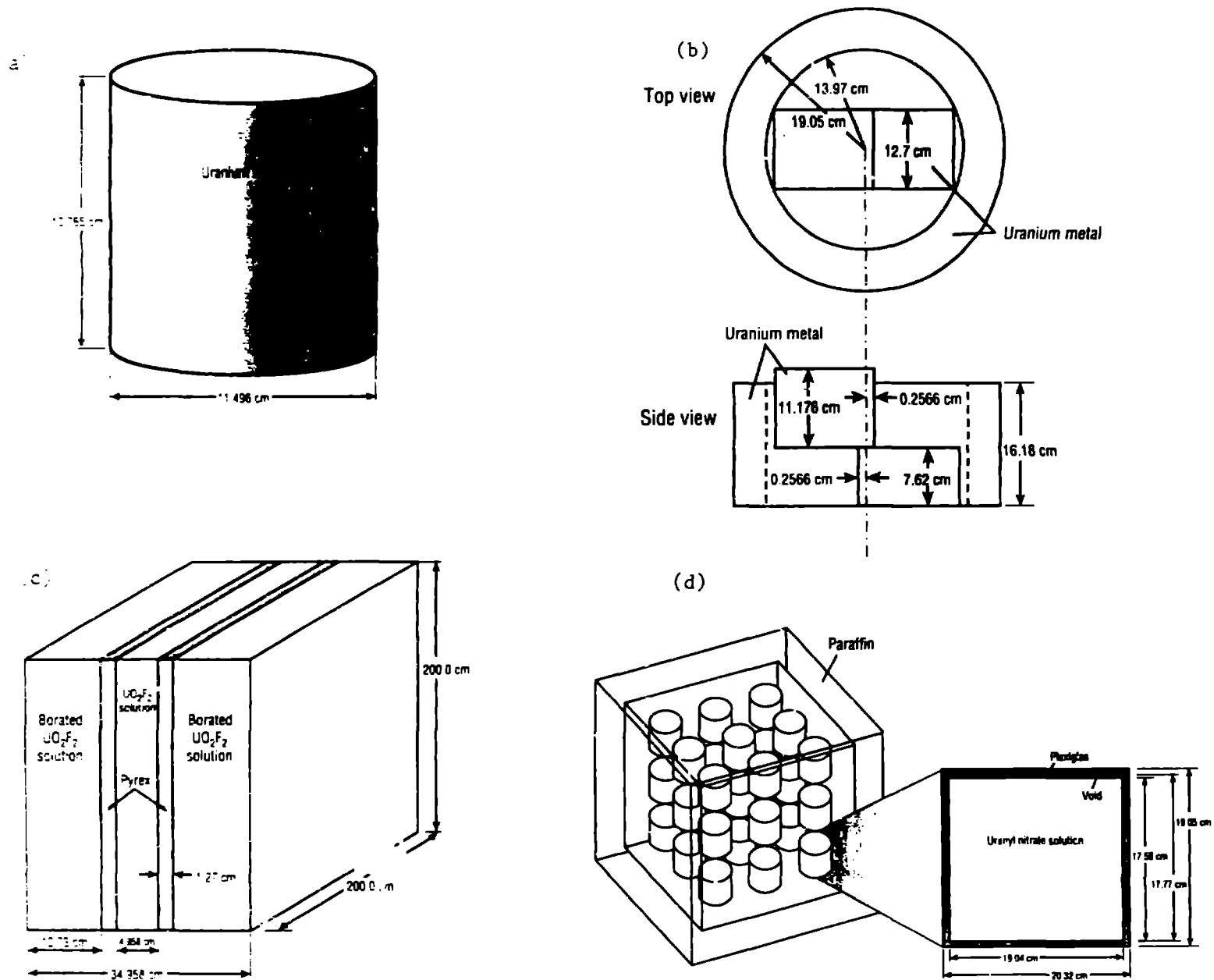


Fig. 1. Sample geometries of the KENO test set (problems 6,13,16, & 18).